

SmartPower XS-Series

- HIGH STABILITY LASER CURRENT SOURCE • SEED LASER/PUMP LASER
- PILOT/MEASUREMENT LASER • FIBER COUPLED LASER FOR BIOPHOTONIC/MICROSCOPY

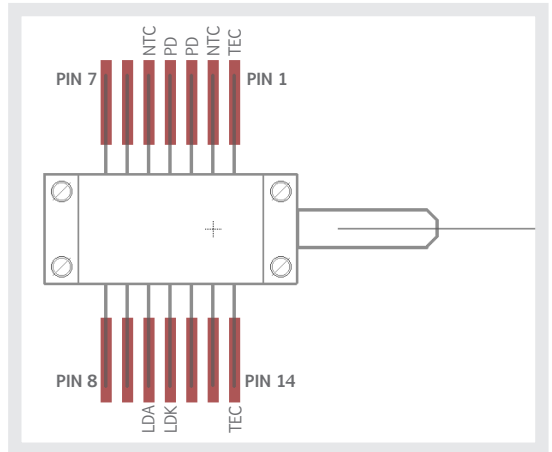
The SmartPower XS laser diode driver with temperature controller is a high precision, safe and cost effective solution for driving 10 & 14 pin butterfly package diode lasers in CW mode. You can set current up to 2A and monitor the temperature and the current. The OEM-board comes with a built-in temperature and transient protection.

Every device has passed our test lab to ensure high quality and reliability.

SmartPower XS - Series

FEATURES

- Laser driver for butterfly 10 & 14 pin packages
- TEC control
- Wide input voltage range
- Very low power dissipation
- Transient protection
- Over temperature protection for driver
- Analog set point control
- Enable/disable for laser current
- Slow start laser diode protection
- Single power supply for complete diode
- Easy to mount and user friendly



SPECIFICATIONS

LASER		TE-cooler DRIVER	
Voltage range:	0...4V	Current:	max. ±2A
Current range:	0...2A	Voltage:	max. ±2.5V
Current resolution:	analog	Sensor typ:	NTC10k
Current accuracy:	±0.5%	Accuracy:	±0.5K
Current stability:	< 0.1%		
Current noise:	< 5mA rms		
Rise time:	< 150µs		
Fall time:	< 150µs		
Current limit:	2.1A		
Enable input:	TTL (Fail safe - low active)		
Analog input:	1V/1A		
		COMMON	
		Supply:	7...25Vdc 25W
		Size (HxWxD):	20x56x62 mm
		Mass:	0.016kg