

SMART DRIVE

- HIGH STABILITY LASER CURRENT SOURCE · SEED LASER/PUMP LASER
- PILOT/MEASUREMENT LASER · FIBER COUPLED LASER FOR BIOPHOTONIC/MICROSCOPY

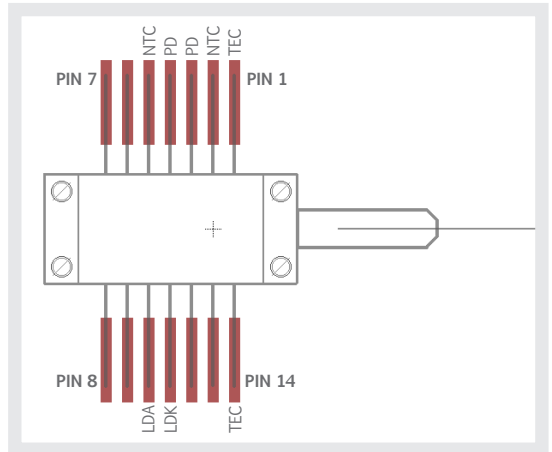
Mit dem SmartDrive bietet LaCoSys eine Low Cost OEM Stromquelle mit Temperaturregelung für 14Pin Butterfly Laserdioden an. Die langjährig erprobte und robuste Ausführung ist für den industriellen Einsatz optimiert. LOW-EMI Komponenten sorgen für geringe Rückwirkung und ermöglichen trotzdem den Einsatz effizienter Technologien. Die implementierten Sicherheitsfunktionen sorgen für einen sicheren Betrieb der Diode und des Treibers.

The low cost SmartDrive laser diode driver with temperature controller is a high precision, safe and cost effective solution for driving 14pin Butterfly package diode lasers in CW mode. You can set current from 0..1A, monitor temp set point and monitor current. The OEM- Board comes with a built-in temperature protection for the wide range input stage. Every device has passed our Test Lab to ensure high quality and reliability.

SMART DRIVE

FEATURES

- Laser driver for butterfly-14-Pins LC96 package
- Integrated PI- control loop for laser built in Peltier element
- Wide input voltage range
- Very low power dissipation
- Transient protection
- Over temperature protection for driver
- Analog set point control
- Enable/Disable for laser current
- Slow start laser diode protection
- Single power supply for complete diode laser current source
- Easy to mount and user friendly



PARAMETERS

LASER	
Voltage range:	0..4V
Current range:	0..1A
Current resolution:	analog
Current Accuracy:	±0.5%
Current Stability:	<0.1%
Current Noise:	< 5mA rms
Rise Time:	< 150µs
Fall Time:	< 150µs
Current Limit:	1.1A
Enable Input:	TTL (Fail safe - low active)
Analog Input:	1V/1A

TE-cooler DRIVER	
Current:	max. ±1.5A
Voltage:	max. ±2.5V
Sensor Typ:	NTC10k
Accuracy:	±0.5K

COMMON	
Supply:	7...25Vdc 20W
Size (HxWxD):	20x56x62 mm
Mass:	0.016kg